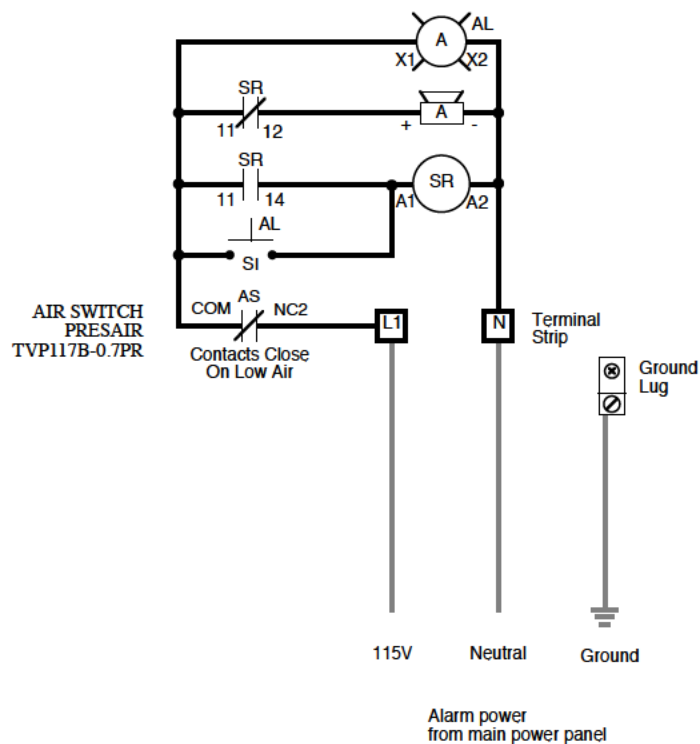


# Panel Wiring Diagram Model EAS-LAA

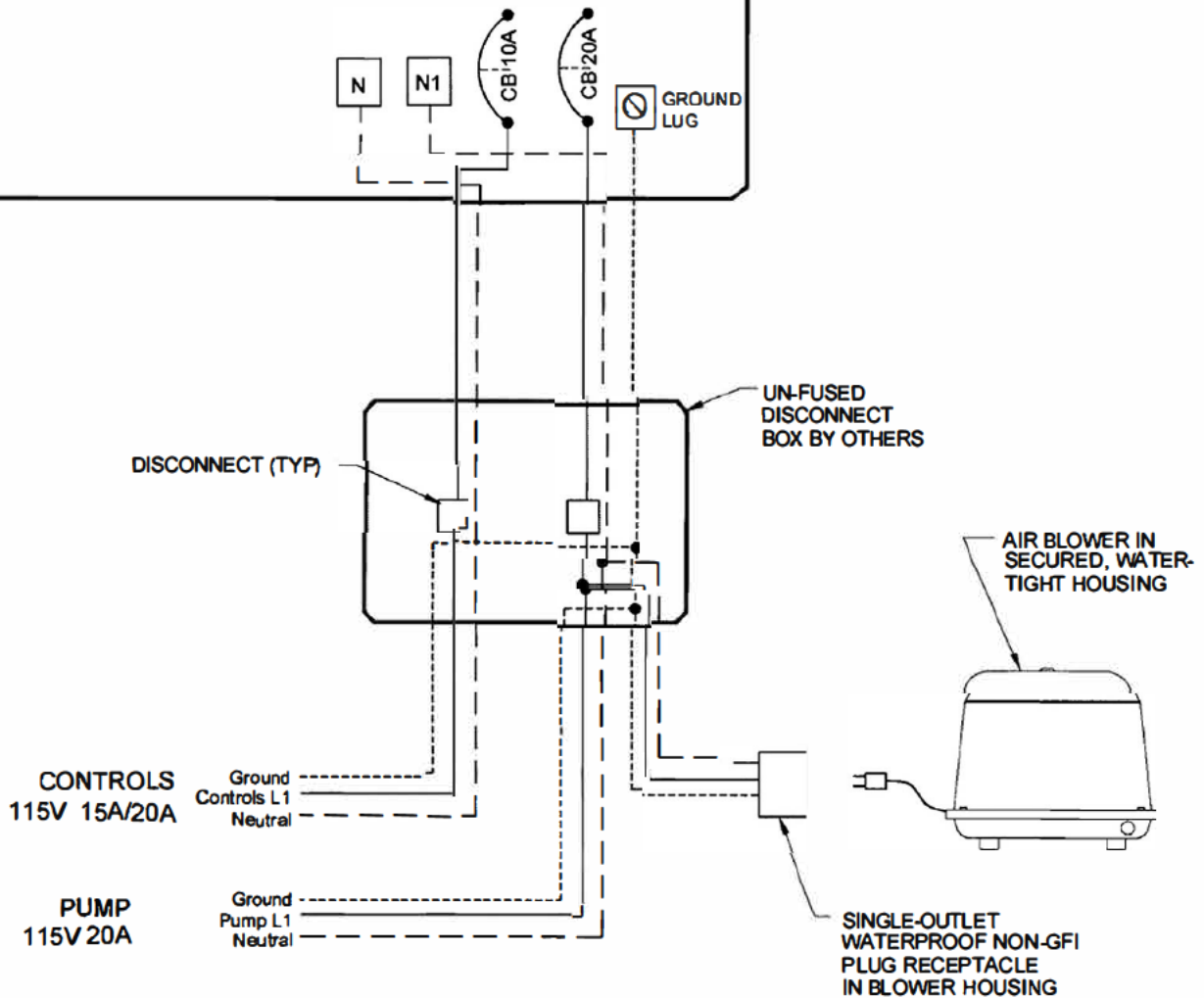
**Operation:** A low air condition activates the alarm light and audible alarm. The audible alarm may be silenced by pressing the illuminated PUSH TO SILENCE button on the bottom of the alarm panel. The alarm light will remain on until the low air condition is corrected.

## Key

- = Factory Wire
- - - = Field Wire
- A = Audio Alarm, 115 VAC
- AL = Alarm Light
- AS = Air Switch
- SI = Silence Switch
- SR = Silence Control Relay (2P)



EAS-S1PT-LAA SERIES CONTROL PANEL  
SEE SEPARATE WIRING DIAGRAM



**NOTES:**

THESE FIGURES DEPICT A RECOMMENDED WIRING CONFIGURATION. OTHER POSSIBLE VARIATIONS INCLUDE:

3 CIRCUITS: ADD A SEPARATE CIRCUIT FOR THE AIR BLOWER.

USE OF BREAKERS: USES A SMALL BREAKER BOX. NOTE THAT NEC REQUIRES #10 AWG MIN. FEEDER SIZE IN THIS CASE.

230 VOLT PANEL: REQUIRES ENTIRELY SEPARATE 115V CIRCUIT FOR THE AIR BLOWER.

**OTHER NOTES:**

BLOWER RUNS CONTINUOUSLY, INDEPENDENT OF CONTROLS IN PANEL.

ALL WIRING TO BE WITHIN APPROVED CONDUIT.

SEE TREATMENT UNIT INSTALLATION MANUAL FOR CONNECTION OF LOW AIR LINE.



**AIR BLOWER & DISCONNECT WIRING DETAILS  
NUWATER ATU USING (2) 115V CIRCUITS**

NuWater  
Advanced Treatment Systems by Enviro-Flo  
Washington Contact: [www.NuWaterSeptic.com](http://www.NuWaterSeptic.com)

EIN-CP-MISC-49  
rev 2.0 3/20/19