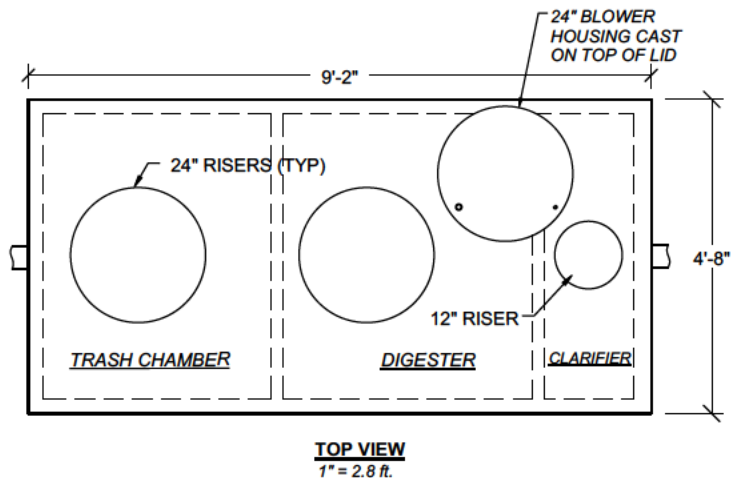


**INSTALLATION INSTRUCTIONS**

- 1) Excavate tank hole with vertical walls to 1 foot larger than tank on all sides.
- 2) If bottom of hole is stony, install 3" of compact sand & level out with screed.
- 3) Install tank in center of hole, keeping 1 ft. void space on all sides.
- 4) As tank is filling with water, fill in void space with compact granular (sandy) soil free of large clumps of clay.
- 5) Install rest of system, & affix risers to adapters with waterproof adhesive.
- 6) Perform watertightness test in field as required by local jurisdiction.
- 7) Upon approval to backfill, carefully backfill with native soils over top of tank.
- 8) Final grade the surface to avoid channelling surface water toward tank.



**AEROBIC TREATMENT TANK DETAIL FOR NuWATER BNR-500 TREATMENT UNIT**

**ENVIRO-FLO, INC.**  
 Wastewater Treatment Technologies  
 P.O. BOX 321161, Flowood, MS 39232  
 (877) 836-8476 (601) 845-4716 fax  
 www.enviro-flo.net

REVISED: 1/29/21  
 SCALE: 1" = 1.4 ft.